

Sinteso™ Cerberus™ PRO

Multi line separator module

FDCL221-M



Multi line separator module, addressed (FDnet/C-NET)

- Automatic module with several separate line separators
- Formation of stub lines (T-branches) in the FDnet/C-NET
- Operation of the module in one or two loops
- Individual addressing of line separators for easy location identification
- Status indicator (LED) for each line separator
- Communication via FDnet/C-NET (addressed individually)
- Easy installation and connection of the stub lines
- Installation in intermediate distributor or fire control panel

Features

- Protected electronics
- Integrated alarm indicators (LEDs) for signaling the line separation

Eco-friendly

- Environmentally friendly processing
- Reusable materials
- Electronic parts and synthetic materials can be easily separated

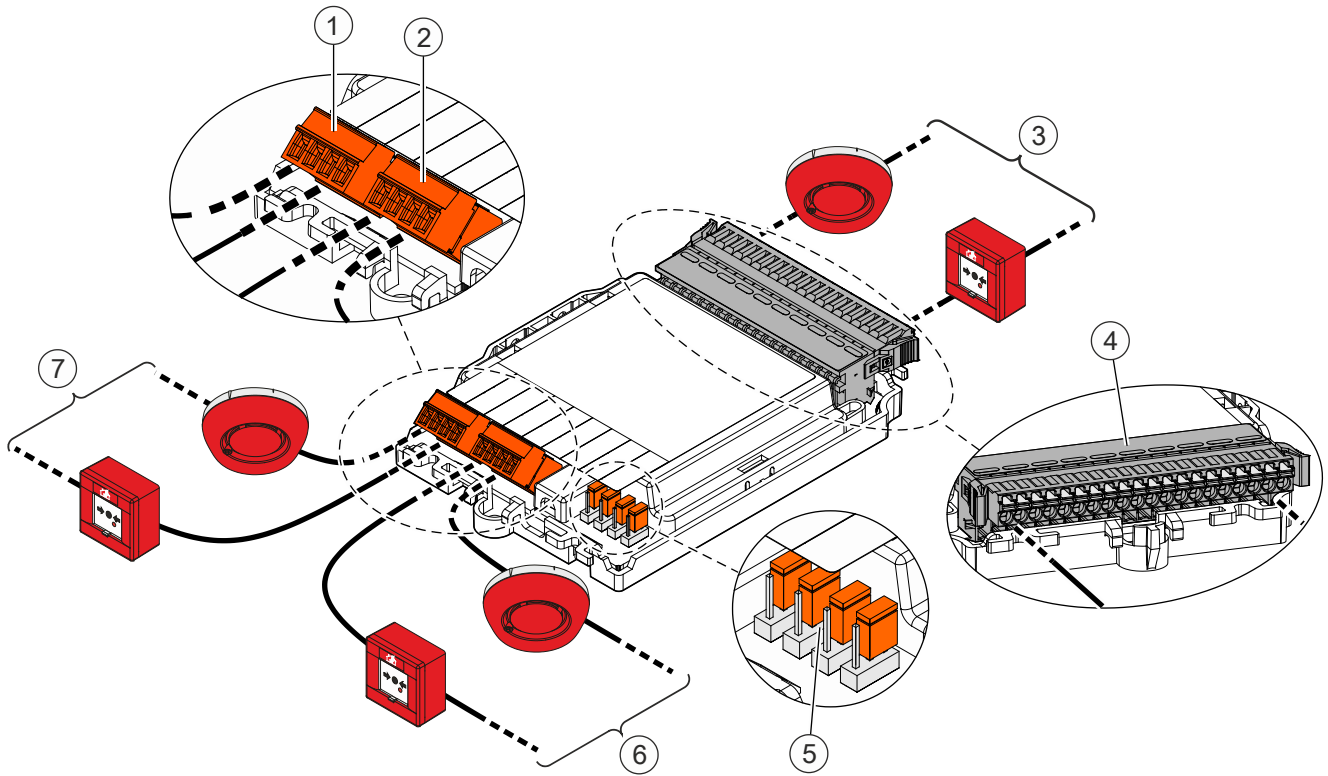
FDCL221-M multi line separator module

- Nine electronic switches (line separators)
- Connections for the detector lines (FDnet/C-NET)
- Connections for the stub lines (T-branches)
- Jumper for configuring the operation mode
 - 1 loop operation: Nine line separators in one FDnet/C-NET
 - 2-loop operation: Two FDnet/C-NET loops, four line separators in each
- Disconnects the affected bus area in the event of a short-circuit in the FDnet/C-NET so that the area unaffected by the short-circuit continues to function
- Yellow LEDs for the status indicator (line separation)



Observe national guidelines and regulations.

- Fields of application:
 - To ensure that several stub lines do not fail in the event of a short-circuit
 - Connection between two stubs on the FDnet/C-NET, if there is no other device between the branches
 - Connection to two separate FDnet/C-NET loops
 - Changing from existing collective systems to the addressed Sinteso and Cerberus PRO fire detection system



1	Screw terminal for FDnet/C-NET loop 1	5	Jumpers
2	Screw terminal for FDnet/C-NET loop 2	6	FDnet/C-NET loop 2
3	FDnet/C-NET stub lines	7	FDnet/C-NET loop 1
4	Connector (20-pin) for sub-stub lines		

Type Overview

Type	Designation	Order number	Weight [kg]
FDCL221-M	Multi line separator module	S54312-F6-A1	0.126

Accessories for the multi line separator module FDCL221-M

Type	Designation	Order number	Weight [kg]
TS35 (L = 122 mm)	U-rail TS35/7.5/122	BPZ:5644780001	0.041
TS35 (L = 288 mm)	U-rail TS35/7.5/288	BPZ:5644230001	0.098
FDCH221	Housing with cover, seal, and screws	S54312-F3-A1	0.282
–	M20 x 1.5 metal cable gland	A5Q00004478	0.036
–	M20 metal counter nut	A5Q00004479	0.006
DBZ1190-AB	1.0...2.5 mm ² (3-pin) connection terminal	BPZ:4942340001	0.001

Replacement material for the multi line separator module FDCL221-M

Type	Designation	Order number	Weight [kg]
FDCM291	Mounting foot	A5Q00003855	0.001

Product documentation

Document ID	Name
008164	Equipment overview Sinteso™ Detector system FD20
A6V10225323	Equipment overview Cerberus™ PRO Detector system FD720
008331	List of compatibility (for 'Sinteso™' product line)
A6V10229261	List of compatibility (for 'Cerberus™ PRO' product line)
A6V10224006	Technical manual Multi line separator module FDCL221-M
A6V10224008	Installation Multi line separator module FDCL221-M, Housing FDCH221

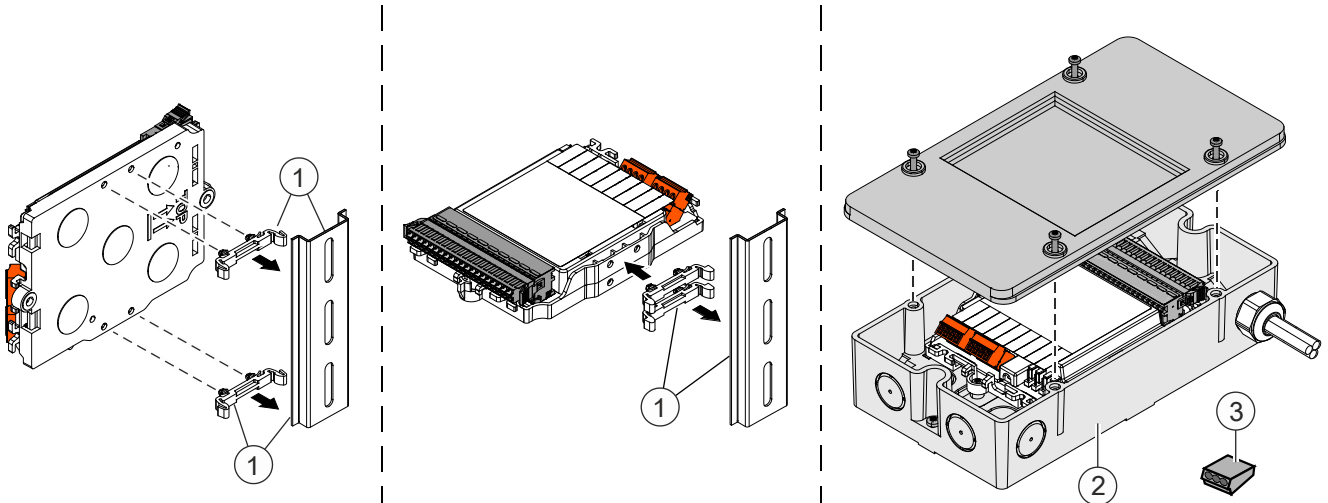
Related documents such as environmental declarations, CE declarations, etc., can be downloaded at the following Internet address:

<http://siemens.com/bt/download>

Mounting

Mounting options

- Directly on a flat surface
- Directly on a U-rail TS35
- In housing FDCH221 (accessory) with cover, seal, and screws



1 Mounting using mounting feet FDCM291 on U-rail TS35

2 Housing FDCH221

3 Connection terminal DBZ1190-AB

Disposal




The device is considered an electronics device for disposal in terms of European Directive 2012/19/EU and may not be disposed of as domestic garbage.

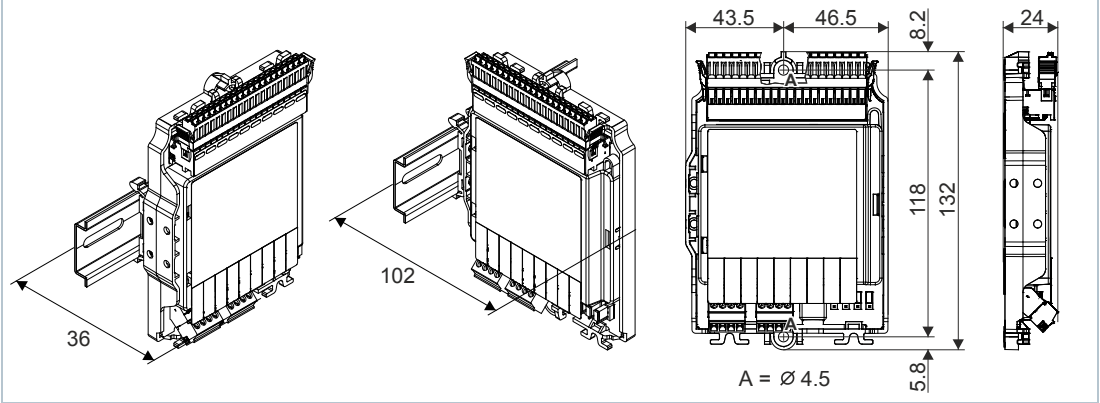
- Dispose of the device through channels provided for this purpose.
- Comply with all local and currently applicable laws and regulations.

Technical data

	FDCL221-M
Operating voltage	DC 12...33 V
Operating current (quiescent) <ul style="list-style-type: none"> • 1-loop operation • 2-loop operation 	2.25 mA (9x 250 µA) 2x 1 mA (4x 250 µA)
Operating temperature	-25...+70 °C
Storage temperature	-30...+75 °C
Air humidity	≤95 % rel.
Communication protocol	FDnet/C-NET
Colors: <ul style="list-style-type: none"> • Module carrier • Housing FDCH221 • Housing cover 	~RAL 9010, pure white ~RAL 9010, pure white Transparent
Protection category (IEC 60529) <ul style="list-style-type: none"> • Without housing • With housing FDCH221, screwed 	IP30 IP65
Standards	EN 54-17
Approvals <ul style="list-style-type: none"> • VdS • LPCB 	G209162 531n/02
System compatibility <ul style="list-style-type: none"> • FDnet • C-NET 	FS20 FS720

09  0786	FDCL221-M	Siemens Switzerland Ltd; Gubelstrasse 22 CH-6301 Zug Technical data: see doc. A6V10224006
FDCL221-M - Short-circuit isolator for use in fire detection and fire alarm systems installed in buildings.		
305/2011/EU (CPR): EN 54-18 ; 2014/30/EU (EMC): EN 50130-4 / EN 61000-6-3 ; 2011/65/EU (RoHS): EN 50581		
The declared performance and conformity can be seen in the Declaration of Performance (DoP) and the EU Declaration of Conformity (DoC), which is obtainable via the Customer Support Center: Tel. +49 89 9221-8000 or http://siemens.com/bt/download		
DoP No.: 0786-CPR-20847; DoC No.: CED-FDCL221-M		

Multi line separator module FDCL221-M



Issued by
Siemens Switzerland Ltd
Building Technologies Division
International Headquarters
Gubelstrasse 22
CH-6301 Zug
Tel. +41 41-724 24 24
www.siemens.com/buildingtechnologies

© Siemens Switzerland Ltd, 2008
Technical specifications and availability subject to change without notice.